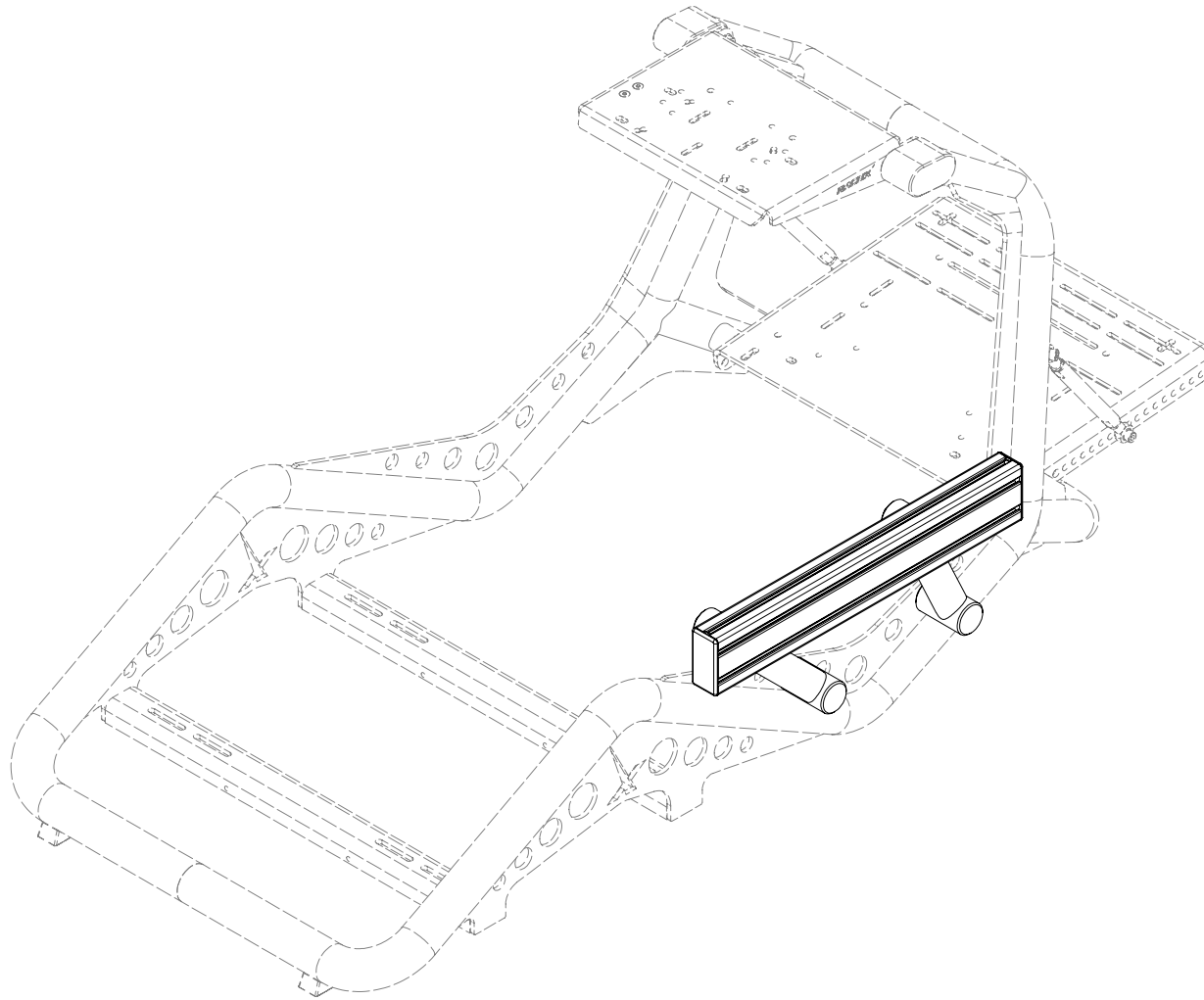




## INSTRUCTION MANUAL



## RACE X SIDE MOUNT

VERSION 1.1

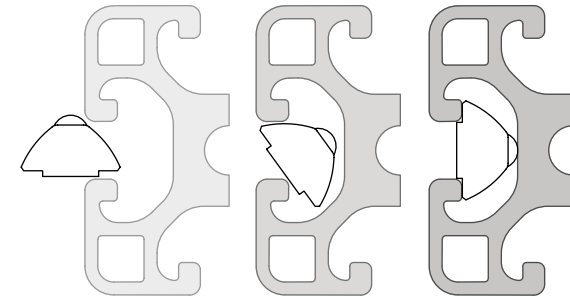
Last updated: 23-02-2022

## BEFORE YOU START:

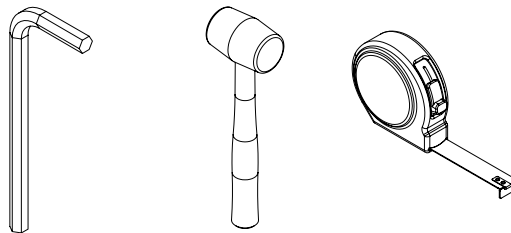
Thank you for purchasing this Sim-Lab product! On the following pages, you will find detailed instructions on assembly. This requires only a set of simple tools and some of your time. Please check the bill of materials before starting (page 7) and make sure all the parts are delivered.

### Inserting Slot-Nuts:

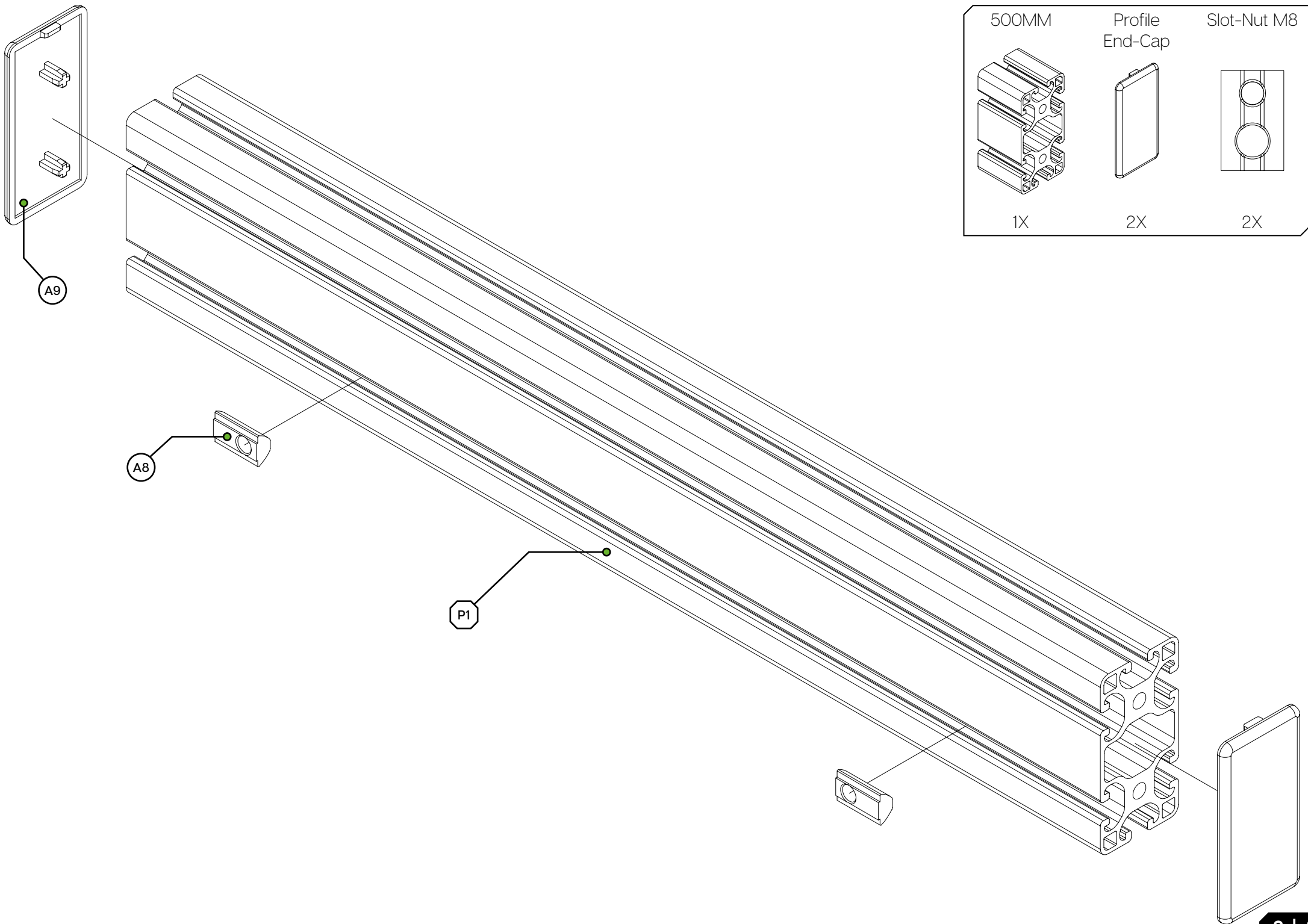
You got excited, finished the build, put the caps on, but forgot to install one element. Do not worry. It happens to everyone. In this diagram, you can see how to insert a Slot-Nut directly into the slot from the side. You can also use one of your smaller Hex wrenches to help wiggle the Slot-Nut in place.



Tools needed:



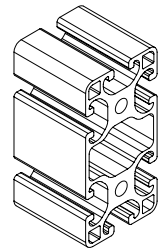
6MM



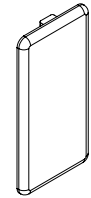
500MM

Profile  
End-Cap

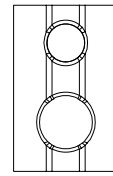
Slot-Nut M8



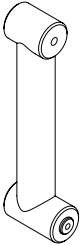
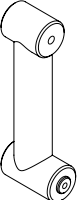
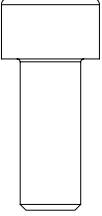
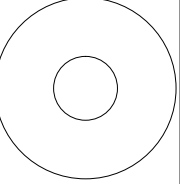
1X

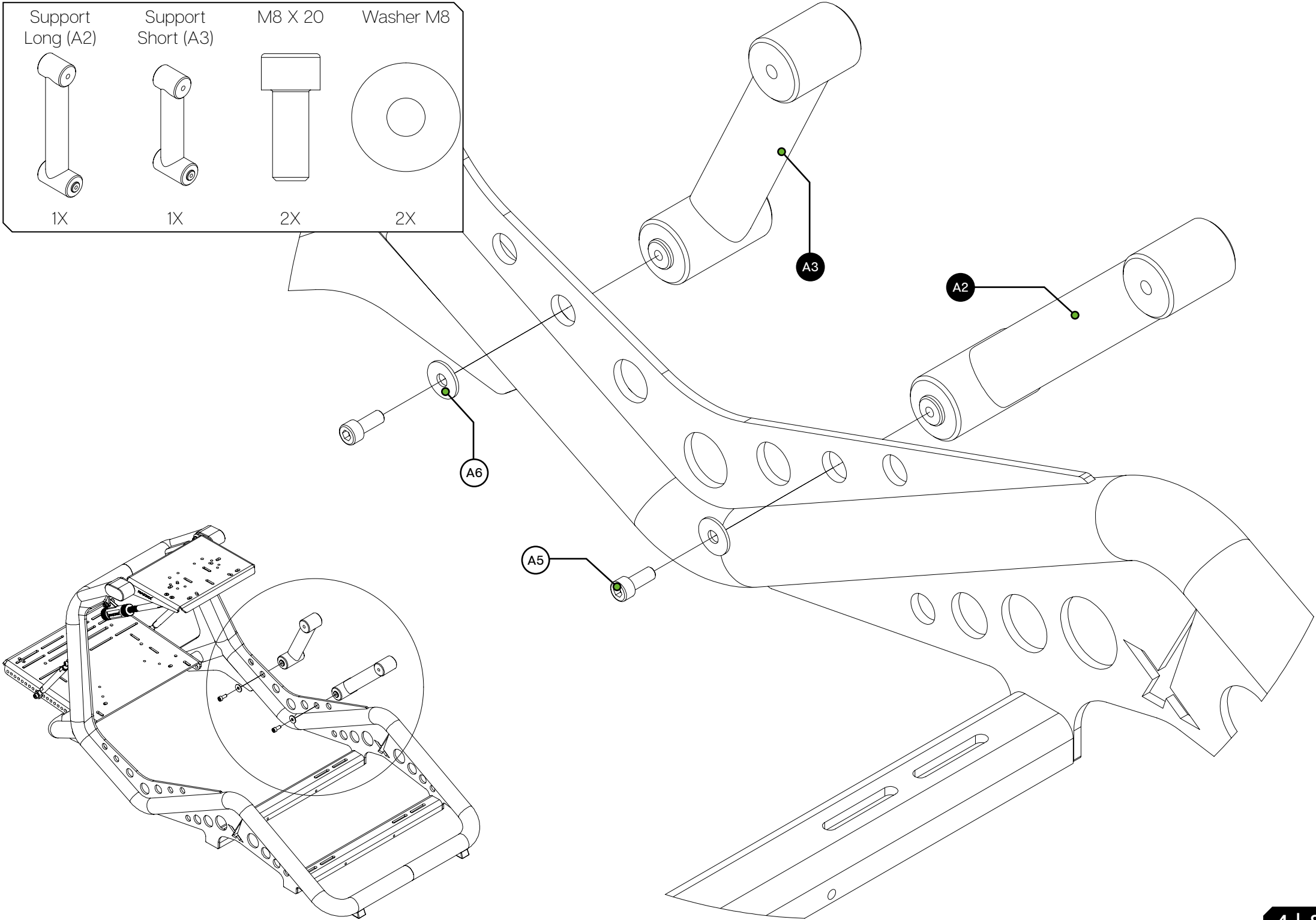


2X



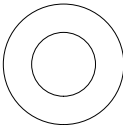
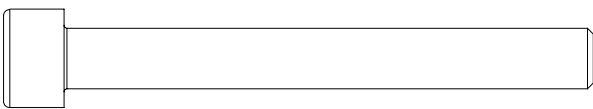
2X

Support Long (A2)	Support Short (A3)	M8 X 20	Washer M8
			
1X	1X	2X	2X



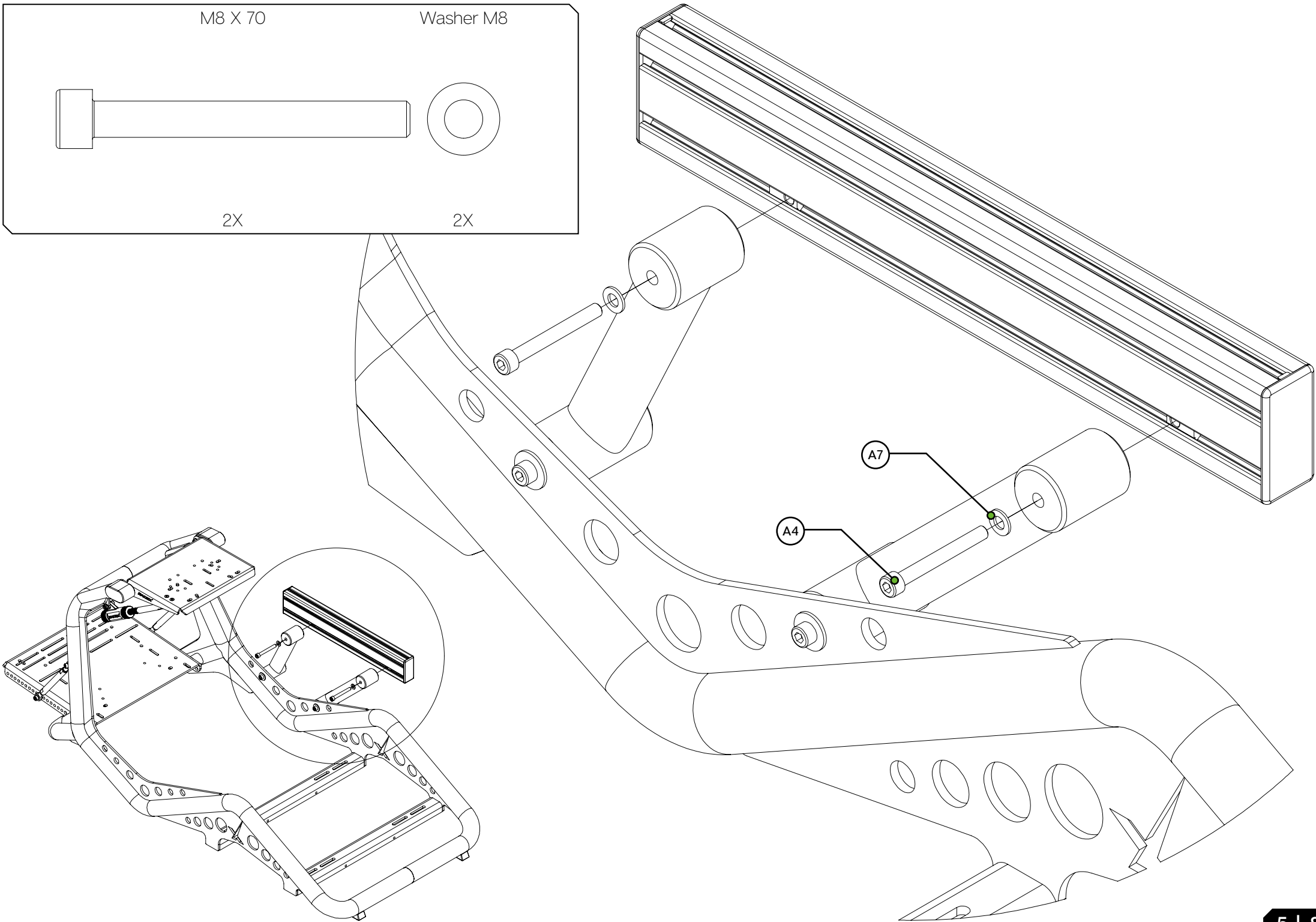
M8 X 70

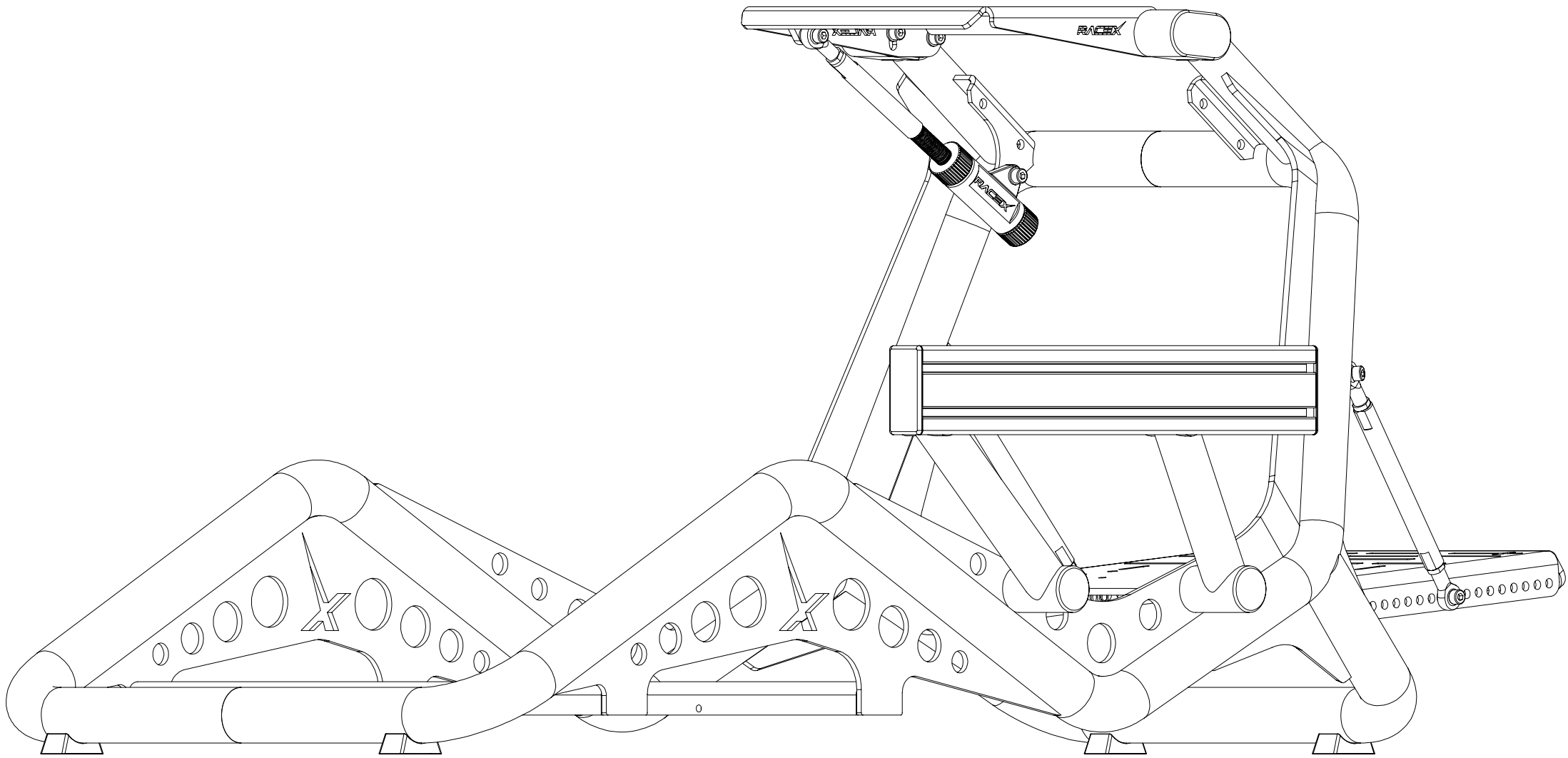
Washer M8



2X

2X





<b>PROFILE KIT</b>			
<b>#</b>	<b>Part</b>	<b>QTY</b>	<b>Note</b>
P1	80X40 Length=500mm	1	
<b>HARDWARE KIT</b>			
A2	RaceX side mount support long	1	
A3	RaceX side mount support short	1	
A4	Bolt M8 X 70 DIN 912	2	
A5	Bolt M8 X 20 DIN 912	2	
A6	Washer M8 DIN 9021	2	Big
A7	Washer M8 DIN 125-A	2	Small
A8	Slot-nut M8	2	
A9	Profile 80x40 end-cap	2	
<i>Disclaimer: for some entries on this list, we supply more than required as spare materials. Don't worry if you have some leftovers, this is intentional.</i>			

If you still have some questions regarding assembly of this product or about the manual itself, please refer to our support department. They can be reached at

support@sim-lab.eu

Alternatively, we now have a Discord server where there are quite some experienced Sim-Lab customers hanging out. They might just help you along if you ask them nicely ;)

[www.sim-lab.eu/discord](http://www.sim-lab.eu/discord)

If you feel like printing this manual, please consider the environment before doing so. For the best results, make sure you print at 100% scale without borders.

Product page on the RaceX website:

